

BE

ELECTRIC PRESSURE WASHER



P1615EN

Operation Manual

93499-FL

BEPOWEREQUIPMENT

.COM

TABLE OF CONTENTS

Product Specifications..... 2

Package Contents..... 3

Hardware Contents 3

Safety Information..... 4

Assembly Instructions..... 7

Operating Instructions.....10

Care and Maintenance..... 13

Pump Saver 15

Troubleshooting..... 16

Limited Warranty 17

Replacement Parts List..... 18

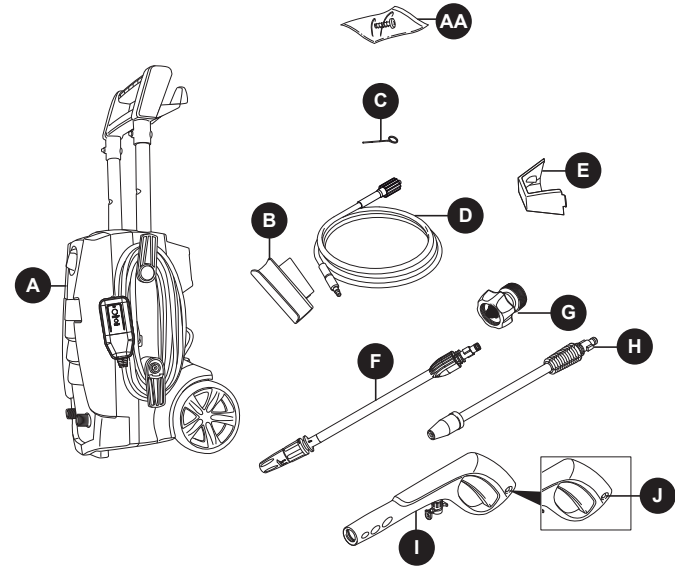
PRODUCT SPECIFICATIONS

SPECIFICATIONS						
Model	Max PSI (lbs/sq. in.)	Max GPM (Gal/per min)	Cold Water	Volts	Amps	Weight (lbs.)
P1615EN	1700	1.4	✓	120	13	24

WARNING

This product can expose you to chemicals including lead, which is known to the State of California to cause cancer and birth defects or other reproductive harm. For more information, go to www.P65Warnings.ca.gov. Wash hands after handling.

PACKAGE CONTENTS



PART	DESCRIPTION	QTY	PART	DESCRIPTION	QTY
A	Power Washer Unit	1	G	Garden Hose Adapter	1
B	Spray Gun Holster	1	H	Turbo Nozzle Lance	1
C	Nozzle Cleaning Wire	1	I	Spray Gun	1
D	Soft PVC High Pressure Hose	1	J	Spray Gun Trigger Lock	1
E	Nozzle Tray	1	AA	Screw	1
F	High/Low Nozzle Lance	1			

HARDWARE CONTENTS



Screw
Qty. 1

Note: Screw is located in package with manual

SAFETY INFORMATION

Please read and understand this entire manual before attempting to assemble, operate, or install the product.

This manual contains information that relates to PROTECTING PERSONAL SAFETY and PREVENTING EQUIPMENT PROBLEMS. It is very important to read this manual carefully and understand it thoroughly before using the product. The symbols listed below are used to indicate this information.



DANGER

Potential hazard that **will result in serious injury or loss of life.**



WARNING

Hazard that **could result in serious injury or loss of life.**



CAUTION

Potential hazard that **may result in moderate injury or damage to equipment.**

Note: The word “Note” is used to inform the reader of something the operator needs to know about the tool.

WARNING

To reduce the risk of injury, the user must read and understand the instructions before using this product.

- Warning – When using this product basic, precautions should always be followed, including the following
- Read all the instructions before using

the product

- Know how to stop the product and bleed pressures quickly. Be thoroughly familiar with the controls.
- Keep operating area clear of persons
- Do not overreach or stand on unstable support. Keep good footing and balance at all times.
- Follow the maintenance instructions as specified in the manual
- To avoid personal injury and/or damage to property and to maximize your power washing experience, carefully follow all of the safety tips, instructions, warnings and safeguards and become familiar with all of the controls.
- This power washer conforms to CSA and other safety and consumer standards. **DO NOT** modify or rebuild any part of your power washer.
- DO NOT** use your power washer when you are under the influence of alcohol or drugs. Use this power tool carefully and only when you are alert.
- Watch your balance and footing while using your power washer. Surfaces become slippery when wet and are extra slippery when using a detergent or cleaner.
- NEVER** operate the power washer in bare feet, sandals, or open-toed shoes.
- When using the power washer near children, make sure they are closely supervised by an adult to avoid injury. **NEVER** let a child use the power washer.

SAFETY INFORMATION

- Keep fingers, hands, feet and any part of your body clear of the stream of high pressure water. The powerful spray can cause blindness or blast holes in the skin. It can break a window if you are too close when you pull the trigger on the spray gun.
- ALWAYS** wear eye protection to prevent injury to eyes when operating the power washer.
- To avoid mishaps or injury, **ALWAYS** use the trigger safety lock when not using the power washer even if the spraying stops for a moment.
- The power washer is equipped with a Ground Fault Circuit Interrupter (GFCI) which greatly reduces the chance of electric shock while the unit is in use. If replacement of the plug or cord is needed, use only identical replacement parts.
- Point the spray gun in a safe direction when beginning a power washing session.
- NEVER** spray directly at a person, animal, electrical device or the unit itself.
- When first using the spray gun, hold the spray gun and lance with two hands when pulling the trigger (one hand to pull the trigger and the other to stabilize the gun assembly) until you get used to the “kickback” from the spray gun.
- When you press the power switch to turn off the power washer, water pressure may remain in the system.

To discharge the pressure, point the spray gun in a safe direction and pull the trigger.

- NEVER** spray flammable liquids.
 - NEVER** use the power washer in areas that contain combustible dust, liquids or vapors.
 - Avoid contact of the pressure hose with sharp objects and examine the hose regularly. Replace if damaged. Due to the high pressure involved, it cannot be repaired if cut or damaged.
 - Only use detergent specifically formulated for power washers and follow instructions on the detergent's label.
 - Protect eyes, lungs, and skin from exposure to detergent. Dish or laundry soap is too thick and will clog the nozzle of your detergent bottle.
- IMPORTANT:** Store the power washer indoors to prevent the water in the unit from expanding under freezing conditions. When the water freezes and expands, your power washer will be damaged and become inoperable. Or, if storing outdoors, it is recommended you use pump saver (not included) to protect pumps.
- NEVER** use hot water with your power washer. It will overheat and damage the high pressure pump.
 - NEVER** leave the power washer unattended while it is powered “ON”.
 - ALWAYS** turn the water supply “ON”

” before turning the power washer power to “ON”. Running the pump dry will cause damage to the internal components.

- 29. **NEVER** use a water supply to your power washer that exceeds 150 PSI maximum.
- 30. **NEVER** disconnect the high pressure hose from the power washer while the system is pressurized.
- 31. **NEVER** permanently engage the trigger mechanisms on the spray gun.
- 32. **NEVER** operate the power washer unless all components are properly and securely connected.
- 33. **NEVER** allow the power washer pump to run for more than one minute after

you have turned off the water supply. This can cause the motor and pump to overheat and fail.

- 34. **NEVER** use lances or other parts that are not compatible for this specific AR Blue Clean unit.
- 35. **NEVER** use an extension power cord since it defeats the effectiveness of the GFCI and increases the chance of electrocuting the operator.
- 36. **NEVER** spray any electrical outlet with your power washer.
- 37. Inspect the power cord before using. **DO NOT** use it if it is damaged.

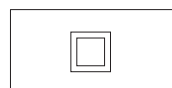
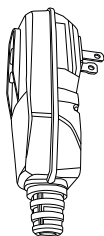
KEEP THESE INSTRUCTIONS FOR FUTURE REFERENCE.

Servicing of a Double-Insulated Appliance

Ground Fault Circuit Interrupter Protection:

This pressure washer is provided with a ground-fault circuit-interrupter (GFCI) built into the plugs of the power-supply cord. This device provides additional protection from the risk of electric shock. Should replacement of the plug or cord become necessary, use only identical replacement parts that include GFCI protection. In a double-insulated product, two systems of insulation are provided instead of grounding. Grounding means are not provided for a double insulated product, nor should grounding means be added

to the product. Servicing a double-insulated product requires extreme care and knowledge of the system, and should only be done by qualified service personnel. Replacement parts for a double-insulated product must be identical to the original parts. A double-insulated product is marked with the words “Double Insulation” or “Double Insulated”. Product may also be marked with symbol shown here.

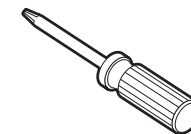


Double Insulated Product

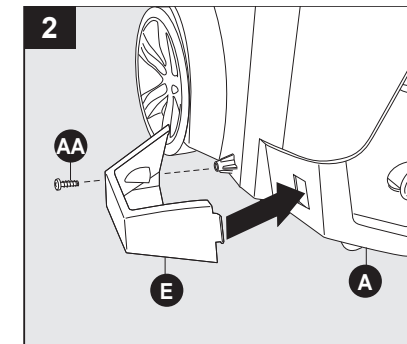
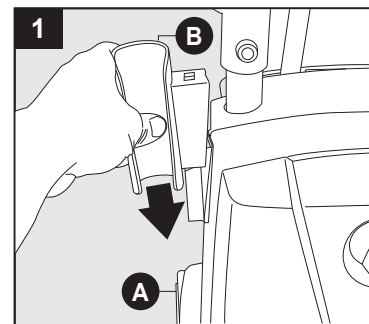
PREPARATION

Before beginning assembly of product, make sure all parts are present. Compare parts with package contents list and hardware contents list. If any part is missing or damaged, **DO NOT** attempt to assemble the

product.
Estimated Assembly Time: 5 minutes
Tools Required for Assembly (not included): Phillips screwdriver



ASSEMBLY INSTRUCTIONS



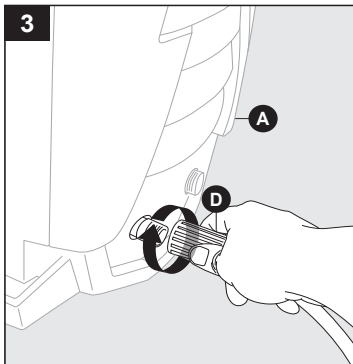
Power Unit Assembly

Slide the spray gun holster (B) onto left side, when facing the unit, of power washer unit (A).
Note: When placing the gun with the lance attached, the nozzle will rest in this tray.

Slip tab into slot and screw the nozzle tray (E) on bottom left, when facing the unit, of power washer unit (A). Secure with screw (AA).
Note: **DO NOT** use a power screwdriver. When the screw is completely tight, give a small final clockwise twist of the screwdriver. **DO NOT** over-tighten.

Hardware Used:

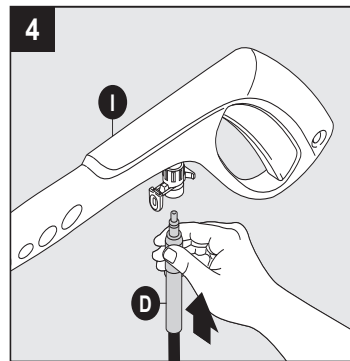
AA Screw  x 1



Soft PVC High Pressure Hose Assembly

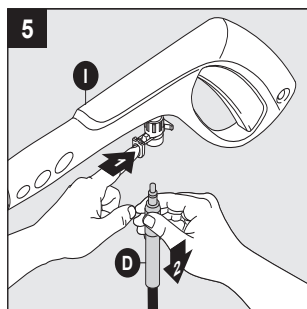
Screw Soft PVC high pressure hose (D) clockwise onto bottom front of power washer unit (A). Pull back collar and insert o-ring post into water outlet far enough so collar can thread onto outlet threads until hand tight. If it takes fewer than six turns you have not properly tightened the Soft PVC high pressure hose fitting. It is easier to position the power washer in front of you to ensure that the threads are started correctly. Failure to properly tighten Soft PVC high pressure hose will result in the hose slipping or popping off immediately upon turning unit on. Do not worry about damage if this occurs—just reinstall and take extra care when screwing on the Soft PVC high pressure hose fitting.

Note: DO NOT use pliers or locking pliers to tighten.



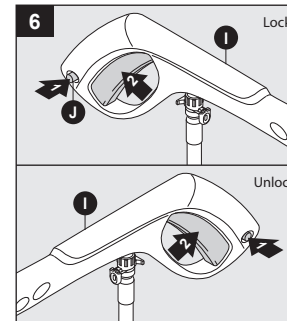
Connect the other end of Soft PVC high pressure hose (D) to spray gun (I) by inserting the brass metal tip of high pressure hose into the fitting just ahead of trigger guard. It will lock into spray gun with a “click”. Confirm hose is locked into spray gun by slightly pulling on them. The hose is now securely attached to spray gun.

Note: DO NOT press button on underside of gun when connecting hose to gun.



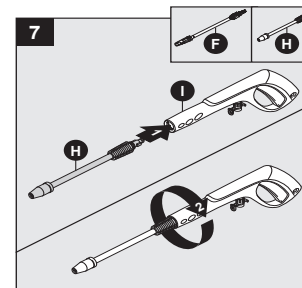
To release hose (D) from spray gun (I), press button on underside of gun toward trigger guard. The hose will slide out from connection.

ASSEMBLY INSTRUCTIONS



Locking Spray Gun (before Lance installation)

To lock the trigger of the spray gun (I), aim the gun away from you and push the lock button from right to left. After doing so, squeeze or pull the trigger to make sure it is locked and will not move. Always leave lock button in locked position when not in use. This ensures the gun is in “safe” mode until it is ready for use.



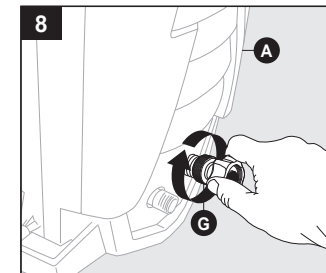
High/Low Nozzle Lance and Turbo Nozzle Lance Installation

While the spray gun (I) is in

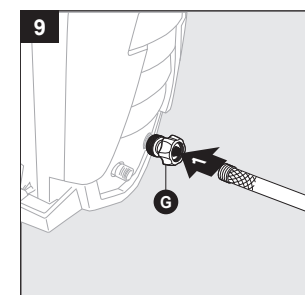
the locked position, insert the high/low nozzle lance (F) or turbo nozzle lance (H) into the end of the spray gun, by inserting and pushing together turning clockwise simultaneously. To remove, push together and turn counterclockwise.

Note: Always push the safety lock button to lock the trigger when changing lances to ensure that they do not accidentally eject with force during removal.

Note: When using the turbo lance, make sure the turbo nozzle is screwed on tight at the end of the lance each time you use it.



Garden Hose Adapter Installation
Attach collar of garden hose adapter (G) directly to power washer water inlet (A). Hand tighten.

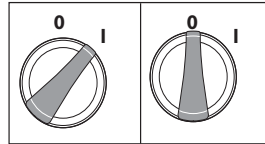
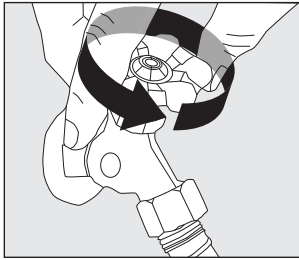


Attach garden hose to the garden hose adapter (G).

Note: Flush out garden hose before connecting to garden hose adapter.

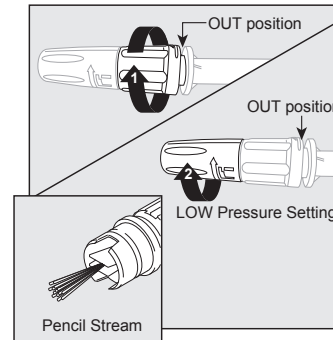
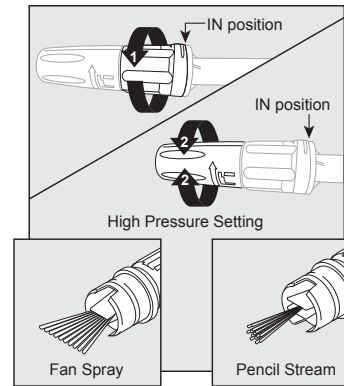
You have now completed assembly and are ready to begin using your electric power washer. Read and observe all safety instructions.

OPERATING INSTRUCTIONS



- Turn on water supply at the faucet to completely open
- Make sure the “ON/OFF” switch is in the “OFF” position. The power switch has international symbols for ‘on’ and ‘off’: On (I) Off (O).
- Unwind the power cord completely and plug the GFCI into a grounded 120 volt outlet.
- Release safety push trigger lock up and back into trigger. While pointing the spray gun in a safe direction, squeeze the trigger on the spray gun until there is a steady stream of water, letting the water and air out of the hose. Push trigger lock back down to lock back into place.

- Turn the power switch to the “ON” (I) position. The unit will turn on for 1 - 2 seconds and shut off. This is a normal function of the auto start feature. Squeeze the spray gun trigger to begin pressure washing.
- Begin power washing by squeezing the trigger on the spray gun all the way into the handle.
- Release the spray gun trigger to stop the power washer
- Allow the motor to come to a complete stop before squeezing the trigger again.
- Squeezing rapidly will cause the auto start feature to miss an on/off cycle that may prevent it from turning on while squeezing trigger after rapid squeezing. Use slow deliberate trigger pulls to avoid such symptoms.
- Always test a small area to avoid chance of damaging the surface.



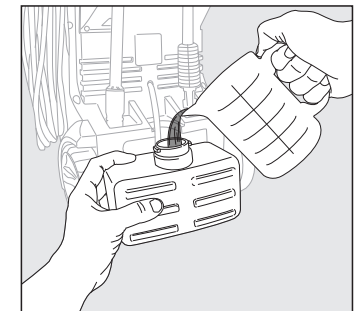
Using High/Low Nozzle

- High pressure spray is used for cleaning and low pressure spray activates the detergent function.
- The adjustable spray nozzle has two (2) positions:
 - IN position for high pressure spray. Twist the nozzle counterclockwise until it stops and gap is closed.
 - OUT position for low pressure spray for detergent function. Twist the nozzle clockwise until it stops and gap is open.
- When using the high pressure setting,

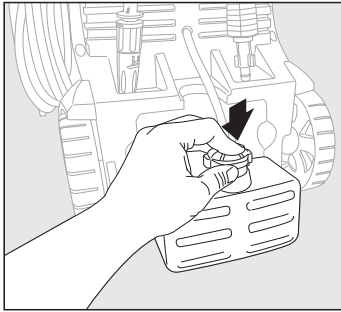
twist the nozzle head clockwise or counterclockwise to achieve the stream desired.

- When using the low pressure setting twist the nozzle head clockwise to open the fan blades all the way.

IMPORTANT: When applying detergent using low pressure spray, the variable spray head must be set for the “Pencil Stream”. This is when the metal blades in front of the nozzle are wide open so the detergent spray is not constricted.



- When using the detergent, fill it with a properly formulated detergent or cleaner with water ratio according to instructions on the container.
- DO NOT use thick gel-like detergents, as they will clog the power washer and can cause damage.



- When removing the detergent tank remove lid and place finger in tank lifting up while pulling tank out.

Operation Tips

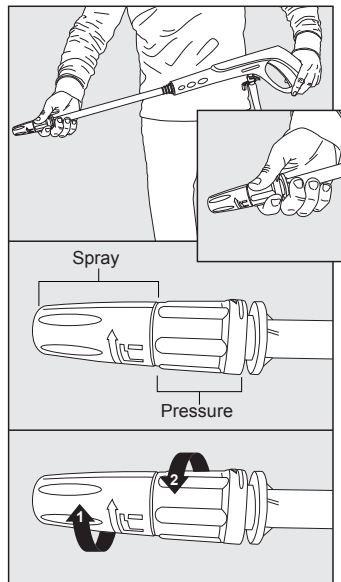
- If you hear the motor run intermittently when the trigger is not being squeezed, that is normal. The pump is priming itself so it is ready to operate when the trigger is squeezed. Turn off the power washer if not being used after five minutes.
- The o-rings on the bayonet end of the lance should be cleaned regularly and lubricated with non-water soluble grease such as petroleum jelly.
- Keep the nozzle cleaning wire for use in unclogging the nozzle. If you lose the cleaning wire, a straightened paper clip also works.

How to Avoid Damaging Surfaces

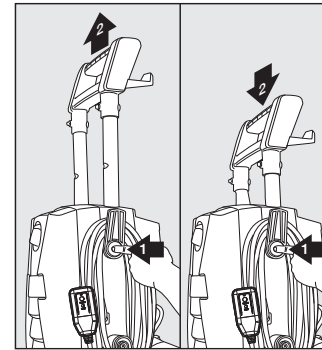
- Damage to surfaces being cleaned occurs because the impact force of the water pressure exceeds the durability of the surface. Bare wood can be penetrated; paint can be

peeled off, etc. You can vary the force of your power washer by controlling:

1. The angle of the surface being cleaned
 2. The distance of the nozzle from the surface being cleaned
- NEVER use a narrow high pressure stream of water on soft surfaces susceptible to damage.

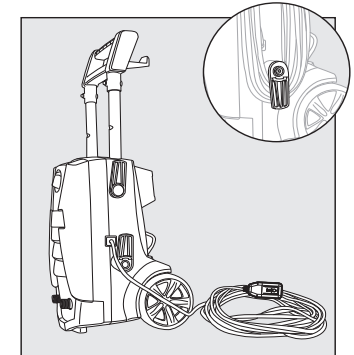


- Use the high/low nozzle lance when cleaning windows. Be sure to adjust the nozzle to low spray and place the nozzle approximately four to five feet away from the window with the nozzle at forty five degree angle. Squeeze the trigger and vary the spray pattern and angle until optimum cleaning efficiency is achieved.



Extending and Lowering Handle

- Extend the handle up by pressing the blue button in the cord hook and pull handle up until it locks in place.
Note: If handle does not easily slide up, add some petroleum jelly (not included) to help make it glide easier.
- Lower the handle by pressing the center of the upper cord hook and push down on the handle until all the way down.



Using Power Cord

- Easily remove the power cord from side of unit by swiveling the bottom blue cord hook to the right or left until it faces up. The power cord then can be easily slid off of the side of the power washer unit.
- Swivel blue, cord hook back down when ready to wrap the cord back into place for storage.

CARE AND MAINTENANCE

Detergents

- Use detergents designed for power washers. These can be found online at our website bepowerequipment.com. Hardware stores or home centers also have power washer detergents for different cleaning projects. The cleaning solution should be the consistency of water in order to prevent clogging your detergent bottle

and nozzle.

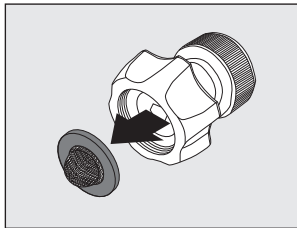
- This system applies detergent under low pressure. The cleaning power of the detergents is enhanced when applied with low pressure and enough time is given to break down dirt and grime. The combination of low pressure and chemical action is very effective and can be better than scrubbing if applied properly. ALWAYS spray

detergent on a dry surface. DO NOT pre-soak area. Wetting the surface first dilutes the detergent and reduces its cleaning ability. DO NOT allow detergent to dry on surface. On vertical surfaces being cleaned, apply detergent to lower surfaces and work your way up to prevent detergent from causing streaks in the dirt and grime. Rinse detergent by pressure washing from bottom up for same reason.

- If a stain is particularly tough, it may be necessary to reapply the detergent and use a bristled brush to scrub the stain. Subsequent power washing after brushing should successfully complete your cleaning job.

Cleaning Garden Hose Adapter

- The screens inside the clear garden hose adapter should be cleaned periodically. Rinse it with clean water, and then place it back in the



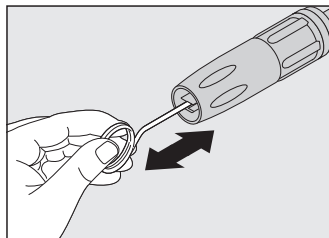
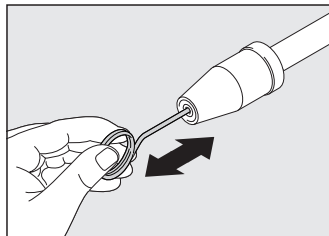
adapter.

Cleaning Nozzles

- A clogged or partially clogged nozzle can cause significant reduction of water pressure coming

out of the nozzle and/or cause the unit to pulsate while spraying.

- Turn off the unit.
- Turn off the water supply to the unit.
- Relieve any pressure trapped in the hose by squeezing the trigger 2-3 times, and then lock the spray gun by pushing the lock button from left to right.
- Remove the lance from the spray gun
- Using the nozzle tip cleaner provided (or an unfolded paper clip), insert the wire into the nozzle hole and move back and forth until debris is dislodged.
- Tap quick connect end of lance on hard surface several times
- Back flush water through the nozzles using garden hose and highest pressure available (either standard water nozzle or use your thumb over the nozzle to create water pressure for back flush).



Storage

- When your pressure washing session has been completed, turn off the power switch located on the front of the power washer. Unplug the power cord from the outlet. Turn off the water supply. Pull the trigger on the spray gun 2-3 times to drain out the excess water and to release any remaining water pressure. Disconnect the garden hose adapter from the water inlet. DO NOT allow the power washer to run with no water flowing through it.
- Remove detergent bottle and clean completely. Residual chemical will stick to the

container and can cause the detergent injector to clog and not function properly.

- Remove high pressure hose from spray gun.
- Remove lance from the gun. Place the gun in the holder on the side. Lances are placed into any of the slots in the back of the unit. Make sure to discard any remaining detergent from the bottle. Flush the bottle and nozzle head with fresh water to prevent clogging.
- Hook the power cord around the L-shaped tab on the right side of the machine when facing it.
- The pressure hose is stored on the hose hook located on the back of the handle.

PUMP SAVER

Pump Saver is a product that protects and prolongs the life of the pump. This will keep the internal parts of the pump lubricated and protected from freezing while being stored in ALL climates. It also assists with protection from internal corrosion. The BE part # is: 85.490.046 (16oz. bottle).

Pump Saver Instructions

Follow the previous storage instructions for your power washer. To prevent staining, protect the surface under the power washer from any excess fluid. Wear eye protection when using this product. Turn unit off and disconnect the gun before adding pump protector. Unscrew threaded top from bottle to

remove seal and reattach threaded top to bottle.

Remove black cap from bottle.

- 1) Place top of pump saver bottle onto the garden hose adapter previously installed to pressure washer inlet.
- 2) Secure pump saver bottle by turning in a clockwise direction.



3) Turn power on. Turn the power washer off as soon as the Pump Saver begins to exit the HP hose.

Note: Instructions on Pump Saver Bottle are generic and not model specific.

TROUBLESHOOTING

PROBLEM	CORRECTIVE ACTION
Unit will not turn on.	<ol style="list-style-type: none"> The GFCI module on the end of the power cord must be plugged directly into an outlet. Do not use an extension cord. With the GFCI Connected make sure the power switch is turned on. Note: When power switch is turned on, the power washer will turn on by itself for 1-2 seconds and shut off. This is normal.
The high pressure (HP) hose will not connect/stay connected to the spray gun. Is this a spray gun problem?	<ol style="list-style-type: none"> In most cases, the spray gun is not the problem. The problem is the rubber sleeve covering the fitting at the end of the high pressure hose. It has likely slipped up toward the metal tip. To fix: wiggle, twist and/or pull the rubber sleeve down until the entire tip is visible plus an 1/8 in. of the metal fitting below the tip. Now try to insert the hose tip into the spray gun. It should "click" into place and will not come out until the hose is released by pushing in the lever on the underside of the gun. You may cut away the end of the sleeve with a sharp knife if unable to move the sleeve down. Be careful not to cut or puncture the hose. Do not push in the release button when connecting the high pressure hose.
The unit is running but there is no water flow.	<ol style="list-style-type: none"> Check the water source. Unclog the nozzle on the lance. (See nozzle cleaning instructions under "Cleaning nozzles".) Or take off the lance and just spray out of the spray gun. This will indicate if the problem is with the lance.
Why is water leaking where the high pressure hose connects to the spray gun?	<ol style="list-style-type: none"> Make sure there is an o-ring at the end of the metal tip of the high pressure hose. If no o-ring is present, the connection between the hose and spray gun will leak.
I can't remove the lance from the spray gun. What should I do?	<ol style="list-style-type: none"> All lances and the detergent bottles are attached and removed from the extension lance in the same manner. Insert the quick-release end of the lance/ detergent bottle into the extension lance. Press the extension lance and lance together (about a 1/8") and turn clockwise. The lance will lock in place. Remove the lance by reversing this procedure. Press the extension lance and lance together and turn counter clockwise. The lance will slide out. Or, hold the extension lance and lance in an upright position with the nozzle end on the floor. Push the whole assembly straight down to loosen the connection, and then follow the removal process again. You may also spray soapy water or a lubricant in the area where the lance connects to the extension lance.
The power washer turns on for 2 seconds, shuts off, and will not turn back on. Do I have a defective unit?	<ol style="list-style-type: none"> It sounds like your power washer is working just fine. When the water is connected, the accessories are assembled properly, and the power switch is turned on, the power washer may turn on for 1 - 2 seconds to prime the pump. It automatically shuts off and waits for the spray gun trigger to be pressed. When the trigger is pressed, water starts flowing through the pump. The water sensor in the pump "senses" the moving water and automatically turns the power washer on. Turn the power switch to off, hold in the trigger on the spray gun, so that you have a steady stream of water. While you are holding the trigger open on the spray gun, at the same time, turn the power switch on.

LIMITED WARRANTY

This product is under warranty to the original retail consumer against defects in material and workmanship for a period of 1 (one) year on parts. Wearable parts and accessories are covered for a period of 90 (ninety) days which include but are not limited to, gun, wand, hose, fittings and nozzles. The warranty is not transferable or assignable. This warranty covers replacement parts.

This limited one year warranty applies only to products used in consumer applications and is void in rental or any commercial application. Reasonable care must be used in conformity with operation and maintenance instructions in the owner's manual and quick start guide. Failure to follow these instructions will void this warranty. This warranty gives you specific legal rights and you may also have other rights which vary from state to state.

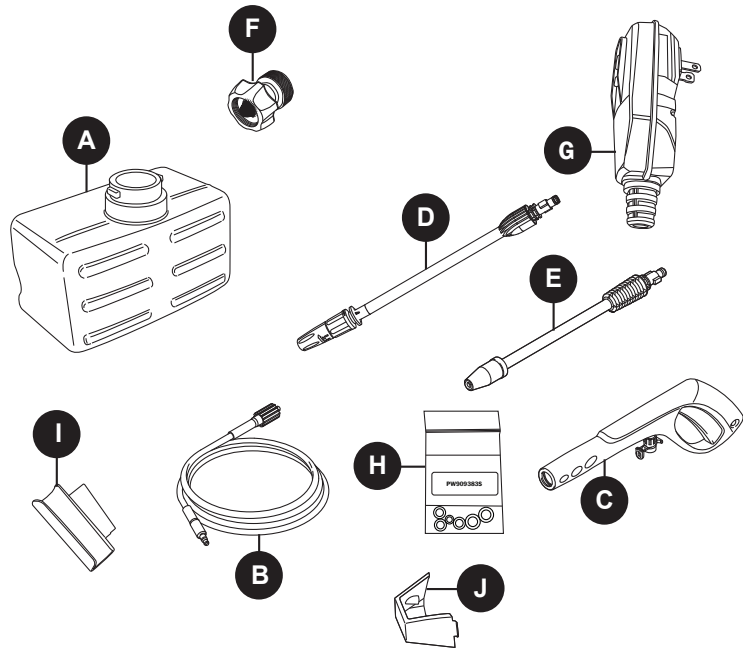
Warranty Process

To place a warranty claim, go to the support section of BE's website at **bepowerequipment.com** and fill out the online form with the following information:

- Dealer Information (Contact name and number)
- Product Model Number and Serial Number
- Electronic Copy of Customer Invoice
- Explanation of defect or how it is not performing properly
 - Troubleshooting steps already taken
- Pictures of product including:
 - Picture of whole unit showing condition
 - Picture of serial number
 - A close up picture of problem area (leaking oil, water, broken part, etc).

You can also contact our technical support at **1-866-850-6662**.

REPLACEMENT PARTS LIST



PART	DESCRIPTION	PART #
A	Detergent Tank (28 oz.)	PW4220020
B	Soft PVC Hose	PW4221520
C	Spray Gun	PW3084633
D	High/Low Nozzle Lance	PW4220013
E	Turbo Nozzle Lance	PW50976
F	Garden Hose Adapter	PW4221570
G	GFCI Assembly	PW4221160
H	O-Ring Kit	PW909383S
I	Gun Holster	PW4220040
J	Nozzle Tray	PW4220050

BE

POWER EQUIPMENT

If you need assistance with the
assembly or operation of this Electric
Pressure Washer please call

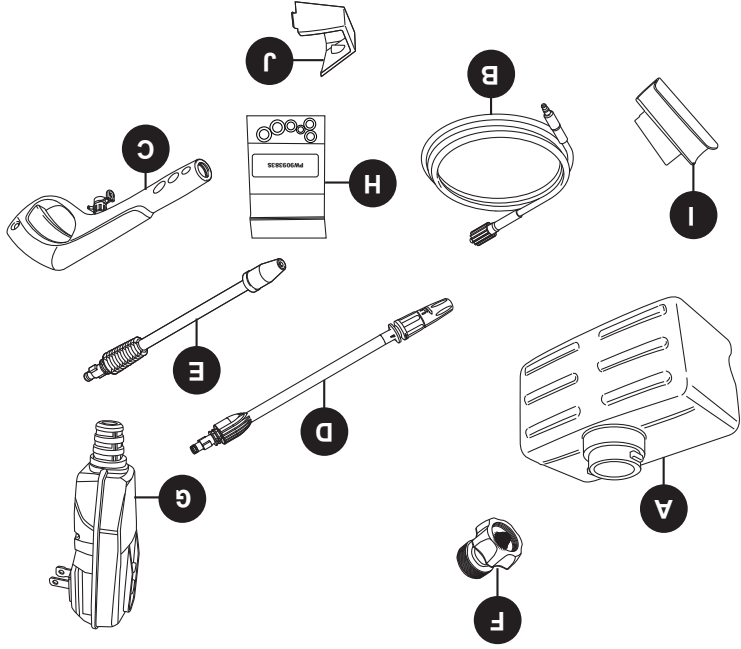
1-866-850-6662

Pour de l'assistance, veuillez
communiquer avec le support technique
au numéro de téléphone suivant:
1-866-850-6662

POWER EQUIPMENT

BE

LISTE DES PIÈCES DE RECHANGE



PIÈCE	DESCRIPTION	NO DE PIÈCE
A	Réservoir de détergent (28 oz)	PW422020
B	PVC Souple tuyau	PW4221520
C	Pistolet pulvérisateur	PW3084633
D	Buse de lance HP et BP	PW4220013
E	Buse de lance turbo	PW50976
F	Adaptateur de tuyau d'arrosage	PW4221570
G	Disjoncteur de fuite de terre	PW422160
H	Ensemble de joints toriques	PW9093835
I	Étui de pistolet	PW4220040
J	Bac à buse	PW4220050

GARANTIE LIMITEE

Ce produit est sous garantie au consommateur de détail original contre les défauts de matériaux et de fabrication pour une période de 1 (un) an sur les pièces. Les pièces et accessoires à porter sont couverts pendant une période de 90 (quatre-vingt-dix) jours, ce qui inclut, sans toutefois s'y limiter, un pistolet, une bague, un tuyau, des raccords et des buses. La garantie n'est ni transférable ni cessible. Cette garantie couvre les pièces de rechange.

Cette garantie limitée d'un an ne s'applique qu'aux produits utilisés dans des applications grand public et est nulle en location ou dans toute application commerciale. Un soin raisonnable doit être utilisé conformément aux instructions d'utilisation et de maintenance du manuel d'utilisation et du guide de démarrage rapide. Le non respect de ces instructions annulera cette garantie. Cette garantie vous donne des droits légaux spécifiques et vous pouvez également avoir d'autres droits qui varient d'une province à l'autre.

Processus de garantie

Pour réclamer une garantie, accédez à la section support du site Web de BE sur bepowerequipment.com et remplissez le formulaire en ligne avec les informations suivantes:

1. Informations sur le concessionnaire (nom et numéro de contact)

2. Numéro de modèle et numéro de série du produit

3. Copie électronique de la facture client

4. ? Explication du défaut ou comment il ne fonctionne pas correctement

5. ? Photos de produit comprenant:

a) Image de l'unité entière montrant l'état

b) Image du numéro de série

c) Une image en gros plan de la zone à problèmes (fuite d'huile, d'eau, pièce cassée, etc.).

Vous pouvez également contacter notre support technique au 1-866-850-6662.

du protecteur de pompe sont
génériques et non spécifiques au
modèle.

mence à sortir le tuyau HP.
Remarque : Les instructions
qui s'affichent sur la bouteille

DÉPANNAGE

PROBLÈME	MESURE CORRECTICE
<p>L'appareil ne se met pas en marche.</p> <p>L'appareil ne se met pas en marche. Vérifiez que le bouton d'alimentation est allumé, la lèveuse à pression est en marche. Utilisez pas une rallonge électrique.</p> <p>2. N'utilisez pas une rallonge électrique.</p> <p>3. Une fois le disjoncteur de fuite de terre branché, vérifiez que l'appareil est sous tension.</p> <p>Remarque : Lorsque l'interrupteur d'alimentation est allumé, la lèveuse à pression se met en marche de l'arrêt à 2 secondes, puis s'arrête. C'est normal.</p>	<p>1. Dans la plupart des cas, le pistolet pulvérisateur n'est pas en cause. Le problème se trouve plutôt au niveau du manchon de caoutchouc qui couvre le raccord d'extrémité du tuyau à haute pression. Il a probablement glissé en direction de l'embout métallique. Pour corriger : remuez ou tirez le manchon de caoutchouc vers le bas jusqu'à ce que l'embout soit bien visible, plus de 1/8 po du raccord métallique sous l'embout. Essayez maintenant d'insérer l'embout de tuyau dans le pistolet pulvérisateur. Vous devriez entendre un clic lorsqu'il s'enclenche et il ne se déclenchera pas jusqu'à ce que le tuyau soit libéré en poussant le levier qui est sur le côté du pistolet. Vous pouvez découper l'extrémité du manchon à l'aide d'un couteau pointu si vous n'arrivez pas à déplacer le manchon vers le bas. Attention : Ne poussez pas le bouton de déchargement lors de la connexion du flexible à haute pression.</p>
<p>Je n'arrive pas à connecter le tuyau à haute pression se connecte au pistolet pulvérisateur?</p>	<p>1. Vérifiez l'alimentation en eau. Désinfectez la buse de la lance. (Consultez les instructions de nettoyage sous le thème « Nettoyage des buses »). Ou retirez la lance et arrosez directement à partir du pistolet pulvérisateur. Ainsi vous saurez si le problème vient vraiment de la lance.</p>
<p>Pourquoi l'eau fuit-elle lorsque le tuyau à haute pression se connecte au pistolet pulvérisateur?</p>	<p>1. Assurez-vous que l'extrémité de l'embout de métal du tuyau à haute pression possède un joint torique. Si ce n'est pas le cas, l'eau fuira entre le tuyau et le pistolet pulvérisateur.</p>
<p>Je n'arrive pas à retirer la lance du pistolet pulvérisateur. Que dois-je faire?</p>	<p>1. Les lances et les bouteilles de détergent sont fixées et retirées du pistolet de la même façon. Insérez le raccord rapide de la lance ou de la bouteille dans la lance. Enfoncez la lance dans le pistolet (environ 1/8 po) et tournez dans le sens horaire. La lance se verrouillera en place. Retirez la lance en inversant la procédure. Enfoncez la lance dans le pistolet et tournez dans le sens anti-horaire. La lance glissera vers l'extérieur.</p> <p>2. Ou placez la lance et le pistolet en position verticale avec la buse au sol. Poussez l'ensemble vers le sol pour desserrer le raccord, puis suivez la procédure de retrait.</p> <p>Vous pouvez également vaporiser de l'eau savonneuse ou du lubrifiant au point de raccordement de la lance et du pistolet.</p>
<p>L'appareil fonctionne mais l'eau ne s'écoule pas.</p>	<p>1. Il semble que votre lèveuse à pression fonctionne parfaitement bien. Lorsque l'eau est raccordée, que les accessoires sont correctement assemblés et que l'interrupteur est à la position marche, la lèveuse à pression se met en marche pendant 1 à 2 secondes pour amorcer la pompe. Elle s'arrête ensuite automatiquement et attend que la gâchette du pistolet pulvérisateur soit enfoncée. Une fois la gâchette enfoncée, l'eau commence à s'écouler à travers la pompe. Le capteur d'eau de la pompe détecte l'eau qui passe et met automatiquement en marche la lèveuse à pression.</p> <p>2. Étiquez l'interrupteur, puis maintenez la gâchette du pulvérisateur enfoncée afin d'avoir un jet d'eau uniforme. Pendant que vous maintenez la gâchette en position mettre en marche.</p>

- Lorsque le lavage à pression Entrepasage
- est terminé, étiquez l'interrupteur qui se trouve à l'avant de l'appareil. Débranchez le cordon d'alimentation de la prise. Coupez l'arrivée d'eau. Tirez sur la gâchette du pistolet pulvérisateur 2 ou 3 fois pour vider l'excès d'eau et libérer toute pression résiduelle. Débranchez l'adaptateur du tuyau d'arrosage de l'embout d'admission d'eau. **NE LAISSEZ PAS** la lavuse à pression fonctionner si l'alimentation en eau n'est pas ouverte.
- Retirez la bouteille de détergent et nettoyez-la à fond. Les résidus chimiques collent au contenant et peuvent obstruer l'injecteur de détergent.
- et l'empêcher de fonctionner correctement.
- Retirez le flexible à haute pression du pistolet pulvérisateur. Retirez la lance du pistolet. Placez le pistolet dans le support latéral. Placez les lances dans l'un ou l'autre des réceptacles qui se trouvent à l'arrière de l'appareil. Assurez-vous de vider le détergent en excès dans la bouteille. Rincez la bouteille et la buse à l'eau claire pour prévenir toute obstruction.
- Accrochez le cordon d'alimentation autour des languettes en forme de L qui se trouvent du côté droit de l'appareil lorsque vous y faites face.
- Le tuyau de pression est entreposé sur le crochet à tuyau, à l'arrière de la poignée.

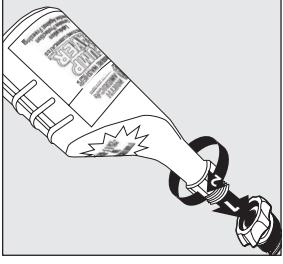
PROTECTEUR DE POMPE

Le protecteur de pompe est un produit qui protège et prolonge la durée de vie de la pompe. Il permet de garder les pièces internes lubrifiées ainsi que de procurer une protection contre le gel. Le numéro de pièce BE est le #: 85.490.046 (bouteille de 16oz).

Instructions relatives au protecteur de pompe

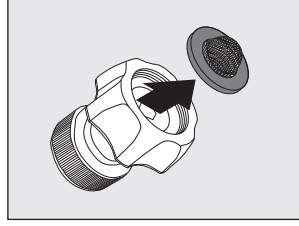
Suivez les instructions d'entrepasage de la lavuse à pression. Pour prévenir les tâches, protégez la surface qui se trouve sous la lavuse à pression de tout excès de liquide. Portez une protection oculaire lorsque vous utilisez ce produit.

Mettez l'unité hors tension et débranchez le pistolet avant d'ajouter le protecteur de pompe. Dévissez le haut de la bouteille à retirer l'obturateur et le rattachier fileté haut



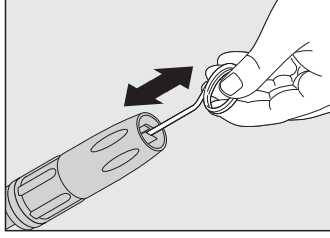
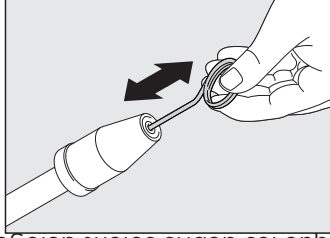
Adaptador de manguera de jar-din limpieza

- de nettoyage. **NE LAISSEZ PAS** le détergent sécher sur la surface. Sur les surfaces verticales, appliquez le détergent à partir de la bases vers le haut pour empêcher la formation de dégoulinades dans la saleté. Pour la même raison, rincez le détergent avec la lavuse à pression en partant de la base.
- Si une tâche est particulièrement tenace, vous devrez peut-être appliquer davantage de détergent et utiliser une brosse à soie douce pour frotter la tâche. Lavez de nouveau pour compléter le travail.

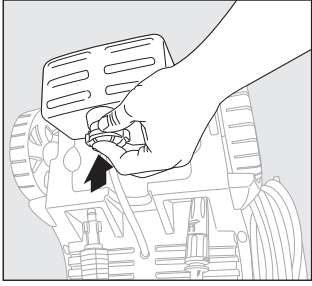


- La crépine qui se trouve dans l'adaptateur doit être nettoyée périodiquement. Rincez-la à l'eau claire, puis remplacez-la dans l'adaptateur.
- Une buse obstruée ou partiellement obstruée peut provoquer une importante réduction de la pression d'eau à la sortie ou provoquer des pulsations du jet sortant de l'appareil.
- Éteignez l'appareil.
- Coupez l'arrivée d'eau à l'appareil.
- Libérez la pression emprisonnée dans le tuyau. Pour ce faire,

- appuyez sur le déclencheur 2 ou 3 fois, puis verrouillez le pistolet pulvérisateur en poussant le bouton de blocage de la gauche vers la droite.
- Retirez la lance du pistolet pulvérisateur
- À l'aide du nettoyeur de buse insérez le fil dans l'orifice de la buse et déplacez-le d'avant en arrière plusieurs fois jusqu'à ce que les débris soient délogés.



- Tapez plusieurs fois l'extrémité du raccord rapide de la lance sur une surface dure.
- Faites passer l'eau de rinçage dans la buse à l'aide du tuyau d'arrosage. Utilisez la pression la plus élevée possible (soit avec la buse standard ou avec votre pouce sur la buse pour créer une pression d'eau).

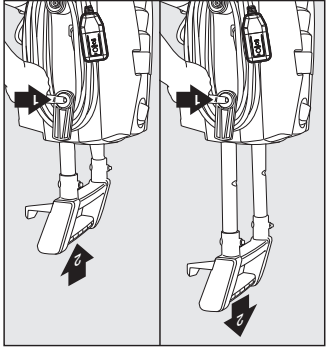
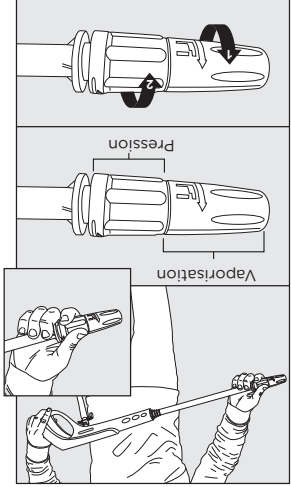


- Lorsque vous retirez le réservoir de détergent, retirez le couvercle et placez un doigt dans le réservoir pour le soulever tout en le sortant.
 - Utilisez la lance à jet haute/basse pression pour nettoyer la surface à nettoyer
 - N'UTILISEZ JAMAIS un jet d'eau étroit à haute pression sur des surfaces lisses susceptibles de s'endommager.
 - Utilisez la lance à jet haute/basse pression pour
1. L'angle de la surface à nettoyer
 2. La distance entre la buse et la surface à nettoyer
- l'appareil en agissant sur les éléments suivants :
1. L'angle de la surface à peindre, etc. On peut modifier la pression de l'appareil

- Il est normal d'entendre le moteur tourner par intermittence, même lorsque la gâchette n'est pas enfoncée.
- C'est la pompe qui s'amorce pour être en mesure de fonctionner lorsqu'on appuie sur la gâchette. Éteignez la laveur à pression si elle n'a pas été utilisée après cinq minutes.
- Le joint torique du côté bâtonnette de la buse doit être régulièrement et lubrifié avec de la graisse hydroinsoluble telle que de la gelée de pétrole.
- Gardez le fil de nettoyage de la buse bien propre en vue de l'utiliser pour désincruster la buse. Si vous perdez le fil de nettoyage, un trombone déplié peut aussi faire l'affaire.

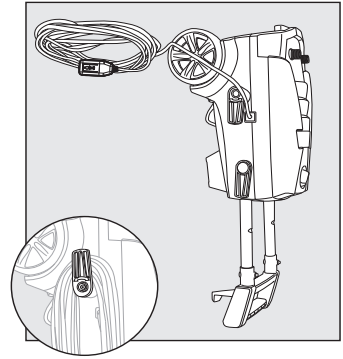
Comment éviter d'endommager les surfaces

- Les dommages aux surfaces en cours de nettoyage se produisent parce que la force d'impact de la pression d'eau est supérieure à la résistance de la surface. Il est possible de pénétrer le bois nu, d'écailler
- la peinture, etc. On peut modifier la pression de l'appareil en agissant sur les éléments suivants :
1. L'angle de la surface à nettoyer
 2. La distance entre la buse et la surface à nettoyer
- la surface à nettoyer
- N'UTILISEZ JAMAIS un jet d'eau étroit à haute pression sur des surfaces lisses susceptibles de s'endommager.
 - Utilisez la lance à jet haute/basse pression pour



Poignée de transport rabattable

- Pour déployer la poignée de transport, il suffit d'appuyer sur le bouton bien du crochet à tuyau et de la relever jusqu'à ce qu'elle se verrouille en place.
- Remarque : Si la poignée glisse difficilement, lubrifiez-la avec de la gelée de pétrole (non comprise).
- Pour rabattre la poignée, appuyez sur le bouton au centre du crochet à tuyau supérieure et appuyez sur la poignée.



Utilisation du cordon d'alimentation

- Retirez facilement le cordon d'alimentation du côté de l'appareil en faisant pivoter le crochet bien du cordon du bas vers la droite jusqu'à ce qu'il se trouve face vers le haut. Le cordon d'alimentation peut alors être glissé sur le côté de la laveur à pression.
- Pivotez le crochet bleu du cordon vers le bas lorsque vous êtes prêt à enrôler le cordon pour l'entreposage.

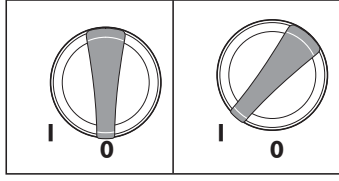
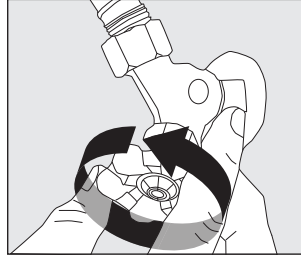
ENTRETIEN ET MAINTENANCE

- Détergents
 - Utilisez un détergent conçu pour les lavuses à pression. Vous pouvez l'acheter en ligne à l'adresse bepowerequipment.com. Les quincailleries ou centres de rénovation offrent également des détergents pour lavuse à pression adaptés à vos différents projets de nettoyage. La solution de nettoyage doit présenter la même fluidité que l'eau pour prévenir toute obstruction de la buse et de la bouteille de détergent.
 - Ce système applique le détergent à basse pression. La puissance nettoie la surface d'accrue lorsque la pression est faible, car la saleté et la crasse ont plus de temps pour se dissoudre. La combinaison de la basse pression et de l'action chimique est très efficace et peut être plus efficace que le frottage si elle est correctement appliquée. VAPORISEZ TOUJOURS le détergent sur une surface sèche. NE MOUILLEZ PAS la zone à nettoyer. Le fait de mouiller la surface dilue le détergent et réduit sa capacité.

avant de le raccorder à l'adaptateur rapide pour tuyau d'arrosage. Le montage de la laveur à pression est maintenant terminé

et l'appareil peut maintenant être utilisé. Assurez-vous de lire et d'observer toutes les directives de sécurité.

MODE D'EMPLOI



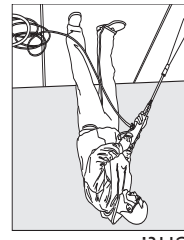
secondes et s'arrête. Il s'agit du fonctionnement normal automatique. Appuyer sur la gâchette pour commencer le lavage à pression.

• Enfoncé complètement la gâchette jusqu'à la poignée pour commencer le lavage à

pression. Relâchez la gâchette pour arrêter le lavage à pression. Laissez le moteur s'arrêter complètement avant d'appuyer de nouveau sur la gâchette.

• Le fait de serrer la gâchette trop rapidement nuit au bon fonctionnement de la fonction de démarrage automatique qui pourrait sauter un cycle marche/arrêt. Cette situation pourrait retarder la reprise automatique du moteur. Le fait d'appuyer lentement sur la gâchette permet d'éviter ces symptômes.

• Faites toujours un essai sur une petite surface pour éviter tout risque d'endommagement. Relâchez le bouton de sûreté de la gâchette et remettez-le en place. Pointez le pistolet dans une direction sécuritaire, puis appuyez sur la gâchette du pistolet jusqu'à ce que l'eau s'écoule en continu après avoir purgé l'eau et l'air emprisonnés dans le tuyau d'arrosage. Pousser le verrou de la gâchette pour le verrouiller.



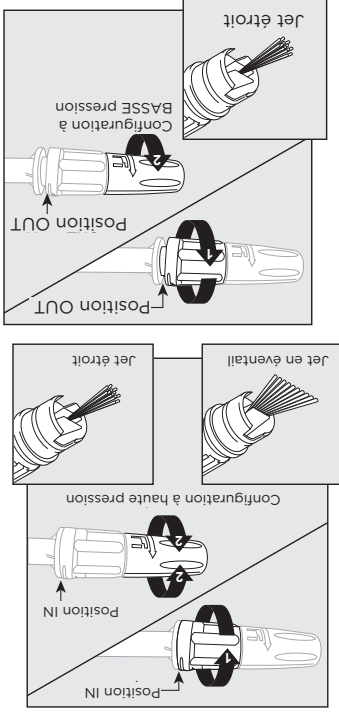
L'appareil se met en marche pendant une à deux

- Placez l'interrupteur à la position « ON » (I).
- Assurez-vous que l'eau. Ouvrez complètement le robinet d'alimentation en eau.
- Relâchez le bouton de sûreté de la gâchette.
- Relâchez le bouton de sûreté de la gâchette et branchez le disjoncteur de fuite de terre dans une prise 120 V reliée à la fonctionnement de la fonction de démarrage automatique.
- Laissez le moteur s'arrêter complètement avant d'appuyer de nouveau sur la gâchette.
- Relâchez la gâchette pour arrêter le lavage à pression. Laissez le moteur s'arrêter complètement avant d'appuyer de nouveau sur la gâchette.
- Déroulez complètement le cordon d'alimentation et branchez le disjoncteur de fuite de terre dans une prise 120 V reliée à la
- Relâchez le bouton de sûreté de la gâchette et remettez-le en place. Pointez le pistolet dans une direction sécuritaire, puis appuyez sur la gâchette du pistolet jusqu'à ce que l'eau s'écoule en continu après avoir purgé l'eau et l'air emprisonnés dans le tuyau d'arrosage. Pousser le verrou de la gâchette pour le verrouiller.
- Placez l'interrupteur à la position « ON » (I).
- L'appareil se met en marche pendant une à deux

• Lorsque vous utilisez le réglage haute pression, tournez la buse dans le sens horaire ou dans le sens anti-horaire pour obtenir le jet désiré.

• Lorsque vous utilisez le réglage basse pression, tournez la buse dans le sens horaire

pour ouvrir les lames du jet en éventail complètement. IMPORTANT : Lorsque vous appliquez le détergent avec le jet à basse pression, la buse à jet variable doit être réglée à jet étroit. À ce moment-là, les lames métalliques au devant de la buse sont grandes ouvertes afin que le jet de détergent ne soit pas restreint.



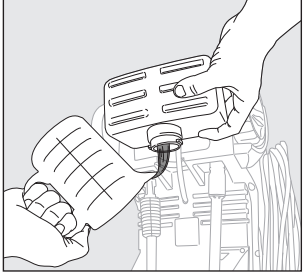
Utilisation des buses HP et BP

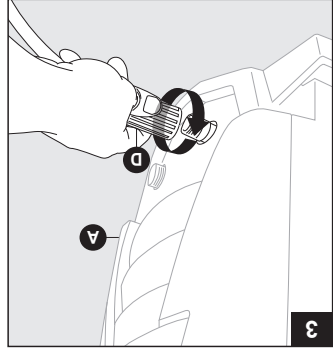
- Le pulvérisateur haute pression est utilisé pour le nettoyage, tandis que le pulvérisateur basse pression active la fonction de détergent.
- La buse de pulvérisation réglable possède deux (2) positions :

— ON — Position fermée pour le jet haute pression. Tournez-la dans le sens anti-horaire jusqu'à ce qu'elle s'arrête et que l'ouverture soit refermée.

— OUT — Position ouverte pour le jet basse pression utilisant du détergent. Tournez-la dans le sens horaire jusqu'à ce qu'elle s'arrête et que l'ouverture soit ouverte.

- Lorsque vous utilisez le réceptacle à détergent, remplissez-le avec un détergent ou un produit nettoyant correctement formulé conformément aux instructions indiquées sur le contenant. N'UTILISEZ PAS de détergents en gel, car ils pourraient encrasser la laveur à pression et provoquer des dommages.





Assemblage du PVC souple tuyau à

haute pression

Vissez le PVC souple tuyau à haute pression (D) dans le sens horaire

sur le raccord situé à la base, sur la face avant (A) de l'appareil. Retirez le collier vers l'arrière et insérez

l'embout dans la sortie d'alimentation en eau suffisamment profondément de sorte que le collier puisse être

visé sur le fillet et serré à la main. S'il faut faire moins de six tours, alors le

raccord du PVC souple tuyau à haute pression n'est pas correctement serré. Il est plus facile d'engager

le collier sur le fillet si la lavuse à pression est positionnée directement

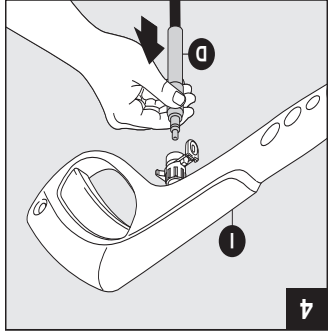
devant soi. Le fait de ne pas serrer correctement le PVC souple tuyau à haute pression aura pour effet

de déconnecter le tuyau dès que l'appareil sera mis en marche. Une telle situation n'endommagera pas

l'appareil. Reconnectez simplement le tuyau et assurez-vous de le serrer correctement sur le raccord de l'appareil.

Remarque : NE SERREZ PAS avec une pince ou une pince-étau.

8



Branchez l'autre extrémité

du PVC souple tuyau à haute pression (D) au pistolet pulvérisateur (I). Pour ce faire, insérez l'embout métallique en lat-

ton du tuyau dans le raccord situé devant la gâchette. Un clic se fera entendre indiquant

le verrouillage des deux composants. Assurez-vous que le tuyau est bien verrouillé dans

le pistolet pulvérisateur en tirant légèrement dessus. Le tuyau est maintenant fixé sé-

curitairement dans le pistolet pulvérisateur.

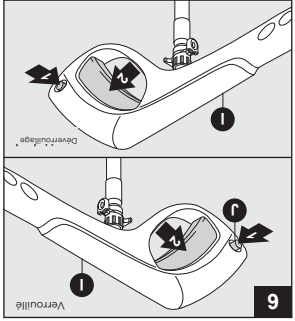
Remarque : N'APPUYEZ PAS sur le bouton du raccord au moment d'insérer le tuyau

dans le pistolet.

Pour retirer le tuyau (D) du pistolet pulvérisateur (I), poussez le bouton du raccord vers la

gâchette. Le tuyau se séparera du raccord.

8



Verrouillage du pistolet

pulvérisateur (avant l'installation de la lance).

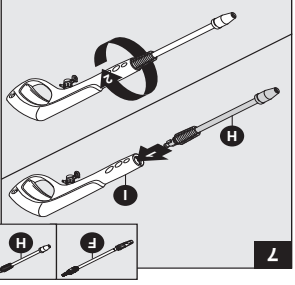
Pour verrouiller la gâchette

du pistolet pulvérisateur (I), pointez le pistolet loin de vous et déplacez le bouton de sûreté de gauche à droite. Ensuite, appuyez sur la gâchette pour

vous assurer que le tuyau est bien verrouillé en place et qu'il ne bougera pas. Toujours

mettez le bouton de sûreté en position de verrouillage lorsque le pistolet n'est pas utilisé.

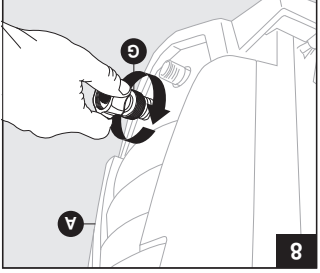
Cette procédure vise à s'assurer que le pistolet est sécurisé lorsqu'il n'est pas utilisé.



Installation de la lance à buse HP et BP de la lance à buse Turbo

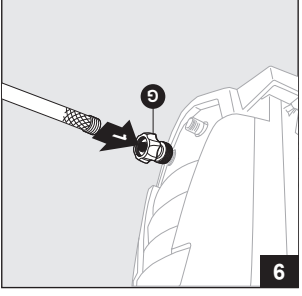
Alors que le pistolet pulvérisateur (I) est verrouillé, insérez la lance haute ou basse pression (F) ou la lance turbo (H) dans le pistolet,

puis poussez et tournez dans le sens horaire. Pour retirer, poussez en tournant dans le sens anti-horaire. Remarque : Poussez toujours le bouton de verrouillage de sécurité pour verrouiller la gâchette lorsque vous changez de lance afin de ne pas risquer d'éjecter accidentellement la lance durant le démontage. Remarque : Lorsque vous utilisez la lance turbo, assurez-vous que l'extrémité de la lance avant de l'utilisez.



Installation de l'adaptateur de tuyau d'arrosage

Raccordez l'adaptateur du tuyau d'arrosage (G) dans l'embout d'alimentation en eau de la lavuse à pression (A). Serrez à la main.



Fixer un tuyau d'arrosage à l'adaptateur de tuyau d'arrosage (G). Remarque : Rincez le tuyau d'arrosage.

9

30. NE JAMAIS débrancher le tuyau à haute pression de la lavuse à pression pendant que le système est sous pression.
31. NE JAMAIS bloquer la gâchette en position ouverte de manière permanente.
32. NE JAMAIS faire fonctionner la lavuse à pression si tous les composants ne sont pas branchés correctement et de manière sécuritaire.
33. NE JAMAIS laisser fonctionner la pompe de la lavuse à pression plus d'une minute après que l'alimentation en eau ait été coupée. Cela pourrait occasionner la surchauffe du moteur et de la pompe et causer une défaillance.

CONSERVER CES INSTRUCTIONS POUR RÉFÉRENCE ULTÉRIEURE.

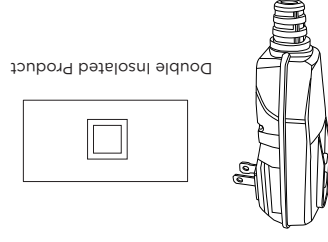
34. NE JAMAIS utiliser une lance ou un autre composant qui n'est pas compatible avec ce modèle d'appareil AR Blue Clean.
35. NE JAMAIS brancher une rallonge au cordon d'alimentation de l'appareil. Cela compromettrait l'efficacité du disjoncteur de fuite de terre et augmenterait le risque d'électrocution de l'utilisateur.
36. NE JAMAIS arroser une prise électrique avec le jet du pistolet pulvérisateur.
37. Inspecter le cordon d'alimentation avant d'utiliser l'appareil. NE PAS utiliser l'appareil si le cordon d'alimentation est endommagé.

Entretien d'un appareil à double isolation

Protection par un disjoncteur de fuite de terre:

cette lavuse à pression est protégée par un disjoncteur de fuite de terre intégré dans la fiche du cordon d'alimentation. Ce dispositif fournit une protection additionnelle contre le risque de décharge électrique. S'il est nécessaire de remplacer la fiche ou le cordon d'alimentation, utilisez uniquement une pièce de remplacement identique comprenant un disjoncteur de fuite de terre.

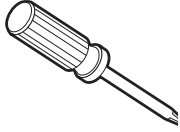
Les produits à double isolation portent la marque « Double Insulation » ou « Double Insulated ». Certains produits peuvent également être marqués du symbole illustré ci-dessous.



Les appareils à double isolation comprennent deux dispositifs d'isolation à la place d'une prise de terre. Les appareils à double isolation ne sont pas équipés d'un dispositif de mise à la terre et ce type de dispositif ne devrait pas être raccordé au produit.

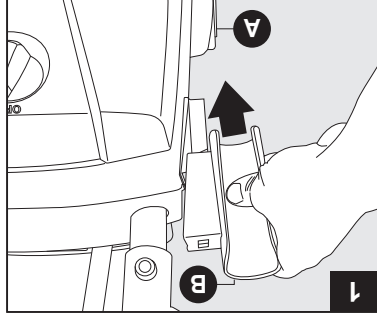
PRÉPARATION

Avant de commencer l'assemblage de l'appareil, assurez-vous que toutes les pièces sont dans l'emballage. Comparez les pièces à la liste des pièces et du matériel. Dans le cas où une pièce est manquante ou endommagée, N'ESSAYEZ PAS d'assembler l'appareil.



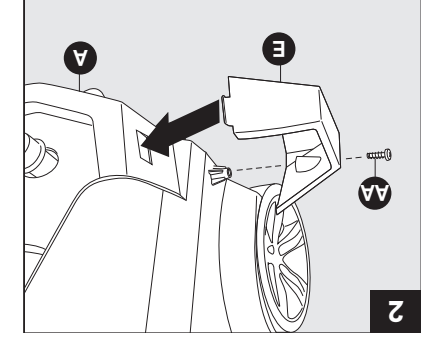
Temps d'assemblage approximatif : 5 minutes
Outil nécessaire pour l'assemblage (non compris) : Tournevis cruciforme

INSTRUCTIONS D'ASSEMBLAGE



Assemblage de l'appareil

Placez l'appareil face contre vous, puis faites glisser l'étui à pistolet (B) sur le côté gauche de l'appareil (A) tel qu'illustré.



Placez l'appareil face contre vous (A). À la base de l'appareil, côté gauche, insérez la languette du bac à buse (E) dans l'ouverture. Fixez à l'aide de la vis (AA). Remarque : N'UTILISEZ PAS un tournevis mécanique. Une fois la vis complètement serrée, vissez-la encore de quelques degrés dans le sens horaire.

Remarque : Lorsque le pistolet et la lance sont assemblés, la buse reste dans son réceptacle.

Matériel utilisé :

VIS x 1



CONSIGNES DE SÉCURITÉ

23. Éviter tout contact entre le tuyau pulvérisateur.
14. Afin de prévenir les blessures aux yeux, PORTER toujours des lunettes de sécurité pendant l'utilisation de la lavuse à pression.
15. Pour éviter les accidents ou les blessures, VERRUILLER toujours la gâchette à l'aide du bouton de sûreté lorsque la lavuse à pression n'est pas en service, même si le jet a été arrêté temporairement.
16. La lavuse à pression est équipée d'un dispositif de fuite de terre afin de réduire le risque de décharge électrique pendant l'utilisation de l'appareil. S'il est nécessaire de remplacer la fiche ou le cordon d'alimentation, utiliser uniquement une pièce de remplacement identique.
17. Pointer le pistolet pulvérisateur vers une direction sécuritaire avant de commencer une séance de lavage.
18. NE JAMAIS utiliser le pistolet pulvérisateur pour arroser une personne, un animal, un appareil électrique ou la lavuse à pression.
19. À la première utilisation du pistolet pulvérisateur, tenir le pistolet et la lance à deux mains (une main pour appuyer sur la gâchette et l'autre pour stabiliser le pistolet et la lance) de manière à évaluer l'effet de rebond du pistolet pulvérisateur.
20. Lorsque l'alimentation électrique de la lavuse à pression est coupée, de l'eau sous pression demeure dans l'appareil. Pour relâcher la pression, pointer le pistolet pulvérisateur dans une direction sécuritaire et appuyer sur la gâchette.
21. NE JAMAIS pulvériser de liquide inflammable.
22. NE JAMAIS utiliser la lavuse à pression dans un espace rempli de poussières, de liquide ou de vapeurs combustibles.
23. Éviter tout contact entre le tuyau pulvérisateur.
24. Utiliser uniquement un détergent spécialement conçu pour les lavuses à pression et suivre les instructions sur l'étiquette de la bouteille de détergent.
25. Utiliser des équipements de protection qui protégeront les yeux, les pommons et la peau contre l'exposition au détergent. Le savon à vaisselle et les détergents à lessive sont trop épais et boucheront la buse de la bouteille à détergent.
- IMPORTANT : Lorsque la température extérieure est sous zéro, entreposer la lavuse à pression à l'intérieur pour éviter que l'eau dans l'appareil gèle. Le fait que l'eau gèle et augmente de volume aura pour effet d'endommager l'appareil et de le rendre inutilisable. Si l'appareil doit être entreposé à l'extérieur, il est recommandé d'utiliser un protecteur de pompe (non compris) pour protéger la pompe.
26. NE JAMAIS utiliser d'eau chaude dans la lavuse à pression. Cela aura pour effet de surchauffer la pompe à haute pression et de l'endommager.
27. NE JAMAIS laisser la lavuse à pression sans surveillance lorsque l'interrupteur est à la position « ON » (marche).
28. TOUJOURS ouvrir l'alimentation en eau avant de placer l'interrupteur électrique à la position « ON » (marche). Le fait de faire fonctionner la pompe à sec pourrait endommager ses composants internes.
29. NE JAMAIS utiliser une source d'alimentation en eau ayant une pression supérieure à 150 PSI.

CONSIGNES DE SÉCURITÉ

4. Définir un périmètre de sécurité.
5. Ne pas s'élever trop loin ou prendre place sur un support instable. Toujours garder une position stable et sûre.
6. Suivre les directives d'entretien décrites dans le manuel.
7. Pour éviter des blessures ou des dommages matériels et pour profiter au maximum de l'appareil, suivre les conseils de sécurité, instructions, avertissements et recommandations et se familiariser avec les commandes.
8. Cette lavuse à pression est conforme aux normes de la CSA et à d'autres normes de sécurité. NE PAS modifier ni reconditionner les pièces de cette lavuse à pression.
9. NE PAS utiliser cette lavuse à pression si vous êtes sous l'influence d'alcool ou de drogue. Utiliser cet appareil avec prudence et uniquement lorsque vous êtes alerte.
10. Toujours garder une position stable et sûre pendant l'utilisation de la lavuse à pression. Les surfaces mouillées sont glissantes et l'utilisation de détergents rend encore plus dangereuses.
11. NE JAMAIS utiliser la lavuse à pression les pieds nus, en sandales ou avec des chaussures ouvertes.
12. Lorsque des enfants sont présents autour de la zone d'utilisation de la lavuse à pression, un adulte doit assurer la surveillance pour éviter le risque de blessures. NE JAMAIS permettre à un enfant d'utiliser la lavuse à pression.
13. Tenir les doigts, les mains, les pieds et toutes les parties du corps loin du jet d'eau à haute pression. Le jet d'eau à haute pression peut causer la cécité ou déchirer la peau. Il peut fracasser une vitre si la buse est trop proche de la fenêtre lorsqu'on appuie sur la gâchette du pistolet

Assurez-vous de lire et de comprendre l'intégralité du présent manuel avant de tenter d'assembler, d'utiliser ou d'installer le produit.

Le présent manuel contient des informations concernant la PROTECTION DE LA SÉCURITÉ PERSONNELLE et la PRÉVENTION DE PROBLÈMES D'ÉQUIPEMENT. Il est important de lire et de comprendre l'intégralité du manuel avant d'utiliser le produit. Les symboles apparaissant ci-dessous sont utilisés pour indiquer ces informations.

DANGER
 Risque potentiel ayant pour conséquence des blessures graves ou la mort.

AVERTISSEMENT
 Risque potentiel pouvant causer des blessures graves ou la mort.

ATTENTION
 Risque potentiel pouvant causer des blessures ou des dommages à l'équipement.

Remarque : Le mot « Remarque » est utilisé pour informer l'utilisateur d'un renseignement important concernant l'utilisation de l'appareil.

AVERTISSEMENT
 Pour réduire le risque de blessure, l'utilisateur doit lire et comprendre les instructions avant d'utiliser ce produit.

1. Avertissement — Certaines précautions de base doivent être prises de la manière suivante :

1. Lire les instructions avant d'utiliser l'appareil.
2. Savoir comment arrêter l'appareil et le dépressurer rapidement.
3. Connaître le fonctionnement de chaque bouton de commande.

TABLE DES MATIÈRES

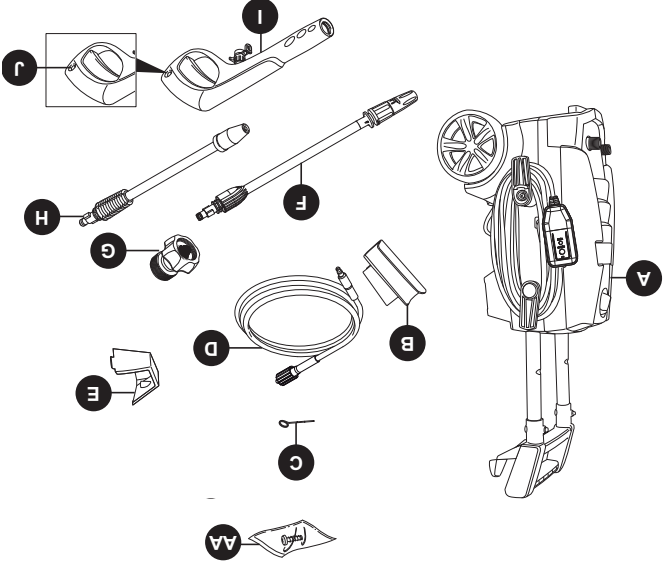
Spécifications du produit..... 2
 Contenu de l'emballage..... 3
 Matériel inclus 3
 Consignes de sécurité 4
 Instructions d'assemblage 7
 Mode d'emploi.....10
 Entretien et maintenance 13
 Protecteur de pompe 15
 Dépannage 16
 Garantie limitée 17
 Liste des pièces de rechange 18

SPÉCIFICATIONS

Modèle	PSI maximum (lb/poz)	Débit maximum (Gal./min)	Eau froide	Voits	Poids (lb)
P1615EN	1700	1.4	✓	120	24
				13	

SPÉCIFICATIONS DU PRODUIT

CONTENU DE L'EMBALLAGE



PIÈCE	DESCRIPTION	QTY
A	Laveuse à pression	1
B	Étui à pistolet pulvé- risateur	1
C	Tige de nettoyage de la buse	1
D	PVC Souple tuyau à haute pression	1
E	Bac à buse	1
F	Lance d'arrosage à HP et BP	1

PIÈCE	DESCRIPTION	QTY
G	Adaptateur de tuyau d'arrosage	1
H	Lance d'arrosage turbo	1
I	Pistolet pulvérisa- teur	1
J	Verrou de la gâ- chette de pistolet pulvérisateur	1
AA	Vis	1



VIS
Qty. 1

Remarque : Les vis se trouvent dans l'emballage du manuel

MATÉRIEL INCLUS



LAVEUSE À PRESSION ÉLECTRIQUE



P1615EN

Manuel d'utilisation

93499-FL

.COM

BEPOWEREQUIPMENT